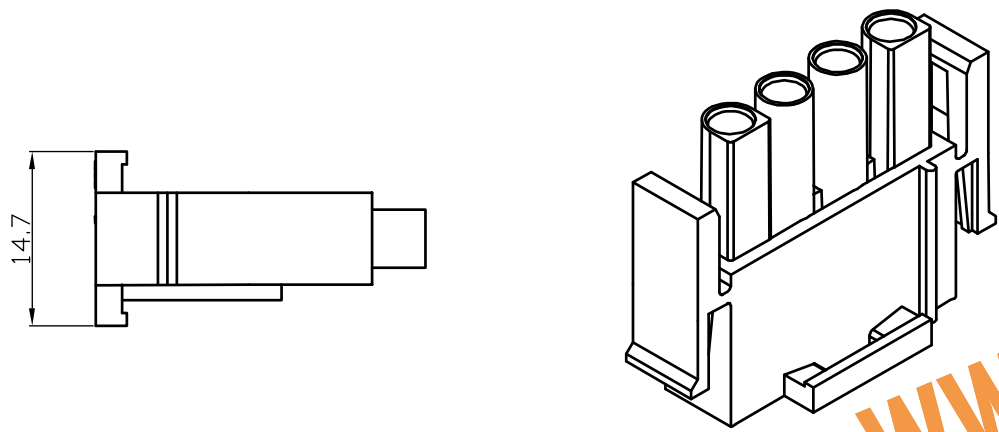


63080 Type Housing



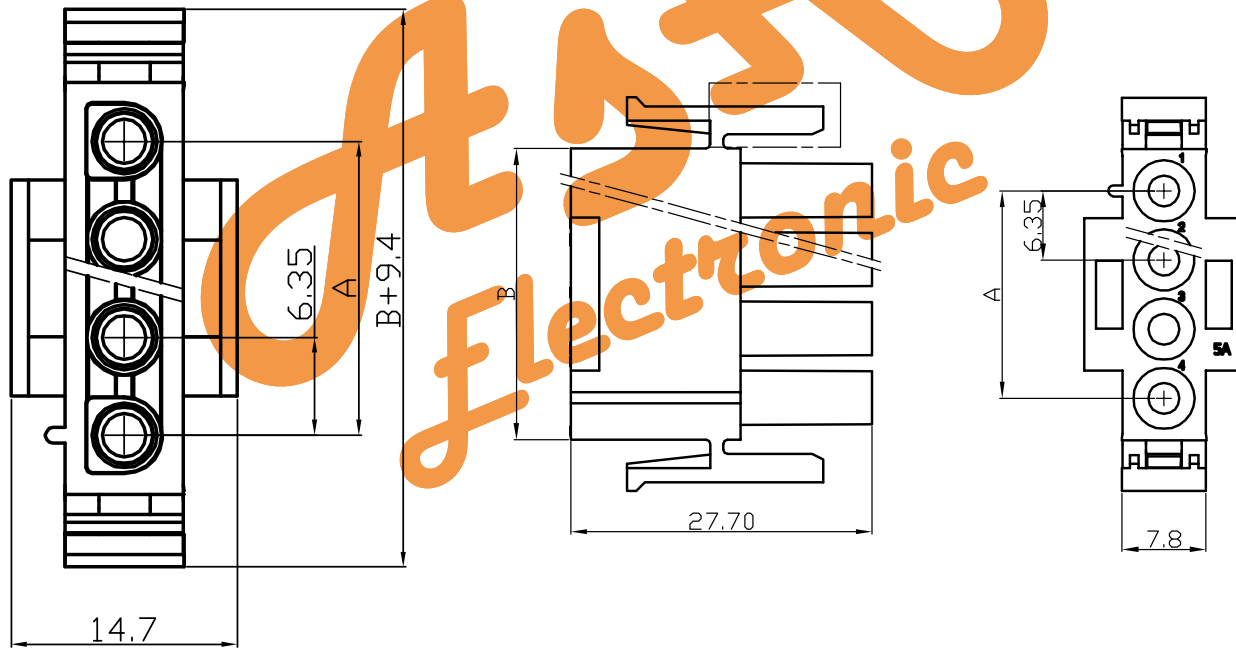
**Model** 63080-P  
**Poles** 2 ~ 6 / 2 x 2 / 2 x 3 ~ 5 x 3 P  
**Rated voltage** 300 V AC/DC  
**Rated current** 11~13.5 A  
**Applicable wire** AWG #24 ~ #20  
**Contact resistance** ≤ 20 mΩ  
**Insulation resistance** ≥ 1000 MΩ  
**Withstand voltage** 1000 V AC/min  
**Temperature range** -25 °C ~ 85 °C

WWW.ASA-ELEC.COM

**ASA** WWW.AsA-Elec.com  
*Electronic*

AsA Electronic Co.

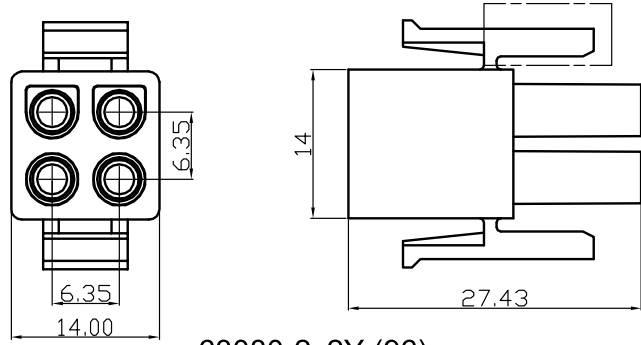
Tel : (+98) 21 66 73 56 82 Mob : (+98) 912 03 161 02



Poles	Part No.		Dimensions	
			A	B
2	WW6351-H02	63080-2Y	6.35	14
3	WW6351-H03	63080-3Y	12.7	20.35
4	WW6351-H04	63080-4Y	19.05	26.7
5	WW6351-H05	63080-5Y	25.4	33.05

Housing	PA66(UL94V-0/V-2)	1	White				
No.	Item/Material No.	Material	QTY	Remark			
Unmarked Tolerance							
	Unit	Scale	Design Unit	Size	Part No.		
	mm	—	Metric	A4			
Draw	Review	Approve	Material	Drawing No.	Part No.		
			Item	63080-NY			

63080 Type Housing



63080-2x2Y (96)

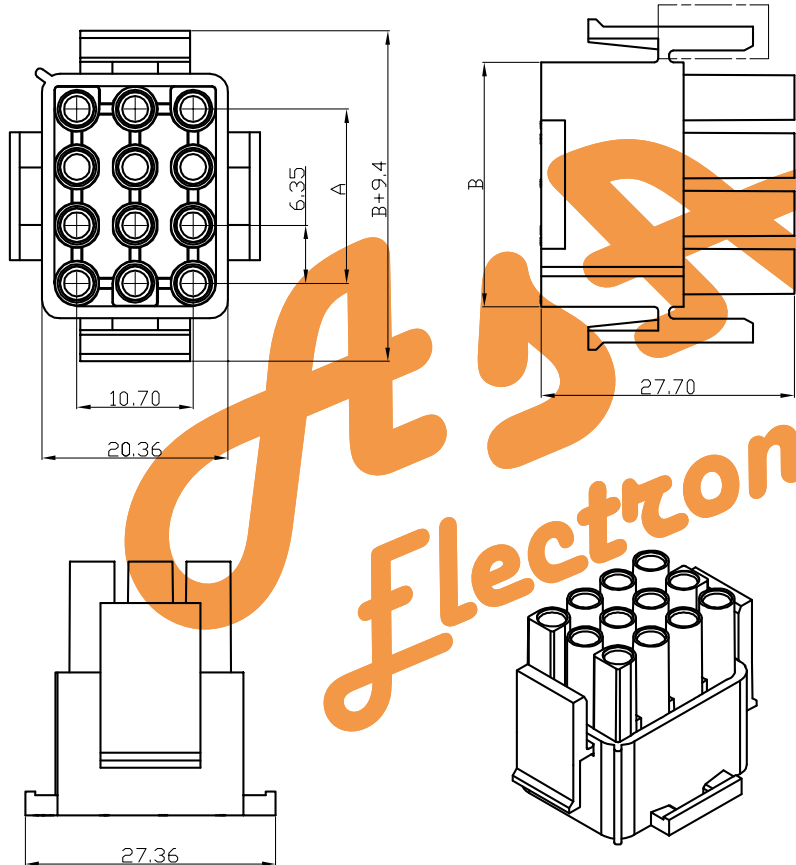
**Model** 63080-P  
**Poles** 2 ~ 6 / 2 x 2 / 2 x 3 ~ 5 x 3 P  
**Rated voltage** 300 V AC/DC  
**Rated current** 11~13.5 A  
**Applicable wire** AWG #24 ~ #20  
**Contact resistance** ≤ 20 mΩ  
**Insulation resistance** ≥ 1000 MΩ  
**Withstand voltage** 1000 V AC/min  
**Temperature range** -25 °C ~ 85 °C

WWW.ASA-ELEC.COM

**ASA** WWW.AsA-Elec.com  
*Electronic*

AsA Electronic Co.

Tel : (+98) 21 66 73 56 82 Mob : (+98) 912 03 161 02



Poles	Part No.		Dimensions	
			A	B
6	WW6351-H02x3	63080-3x2Y	6.35	14
9	WW6351-H03x3	63080-3x3Y	12.7	20.35
12	WW6351-H04x3	63080-3x4Y	19.05	26.7
15	WW6351-H05x3	63080-3x5Y	25.4	33.05

Housing	PA66(UL94V-0/V-2)	1	White				
No.	Item/Material No.	Material	QTY	Remark			
Unmarked Tolerance							
	Unit	Scale	Design Unit	Size	Part No.		
	mm	—	Metric	A4			
Draw	Review	Approve	Material	Drawing No.	Part No.		
			Item	63080-3xNYE			